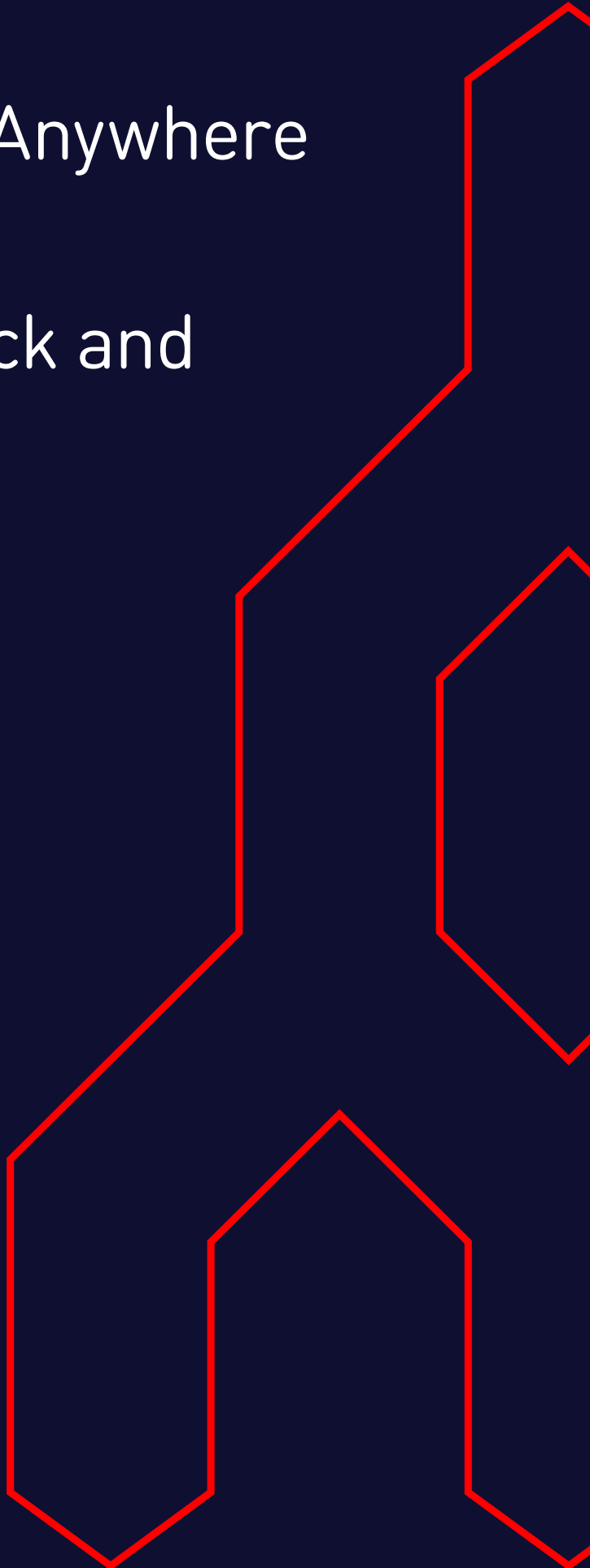




# Extend the Cloud Anywhere You Need It, with AWS Outposts Rack and Megaport.



---

## Deliver a truly consistent hybrid cloud experience

We make it easy to provision fast, secure, and private connections to AWS Outposts Rack through our global Software Defined Network (SDN) for a consistent hybrid experience with AWS. Megaport is an Advanced Technology Partner specializing in AWS Direct Connect delivery. You can provision connectivity from hundreds of Megaport-enabled locations to multiple AWS Regions and Direct Connect Points of Presence (PoPs) across North America, Europe, and Asia Pacific in just a few clicks.

## Bring AWS infrastructure and services on premises with AWS Outposts Rack and Megaport

Bring AWS infrastructure and services to your on-premises locations with AWS Outposts Rack and Megaport. Outposts is a fully managed service that brings the same AWS infrastructure, services, APIs, and tools to virtually any on-premises deployment. AWS Outposts is ideal for workloads with low latency, local data processing, or data residency requirements. AWS Outposts support for Direct Connect allows you to connect privately to Outposts service link endpoints without having to traverse the public internet.

When combining AWS Outposts Rack with Megaport, you will have simplified, scalable connectivity options based on your on-premises requirements, including private Direct Connect interconnection to your Outposts with or without layer 3 network hardware.

As part of an AWS Outposts Rack deployment, you will use service link connections to access AWS Regions using Megaport and AWS Direct Connect. To ensure uptime, it is recommended that a resilient architecture be deployed for AWS Region connectivity.

## Why Megaport for your Outposts/Direct Connect solution?

As a validated AWS Outposts Service Ready Direct Connect Partner, Megaport provides you with a resilient private connectivity solution for the critical communication link between Outposts and AWS Regions.

This solution allows you to extend your on-premises AWS Outposts Rack with Megaport Ports to the desired AWS Region. In addition, you can avoid adding network hardware colocation by connecting Megaport Ports to, Megaport hosted, virtual router appliances for dynamic BGP routing using AWS Direct Connect to securely link to the desired AWS Region.

Key benefits include:

- **Service Ready:** The AWS Service Ready designation means the solution has been tested, validated, and proven by Megaport and AWS.
- **Network resilience:** The Megaport solution for AWS Outposts/Direct Connect enables a redundant architecture for the critical AWS Region connectivity.
- **More data center choices:** The Megaport solution for AWS Outposts/Direct Connect allows the customer to choose the desired data center operator and location with fewer restrictions. Get a wider range of options with 120+ data center operators and 780+ locations globally.
- **Virtual routing support for Direct Connect peering:** When you don't want to deploy a router, space, and power for Direct Connect peering, use Megaport Cloud Router (MCR) for virtual routing.

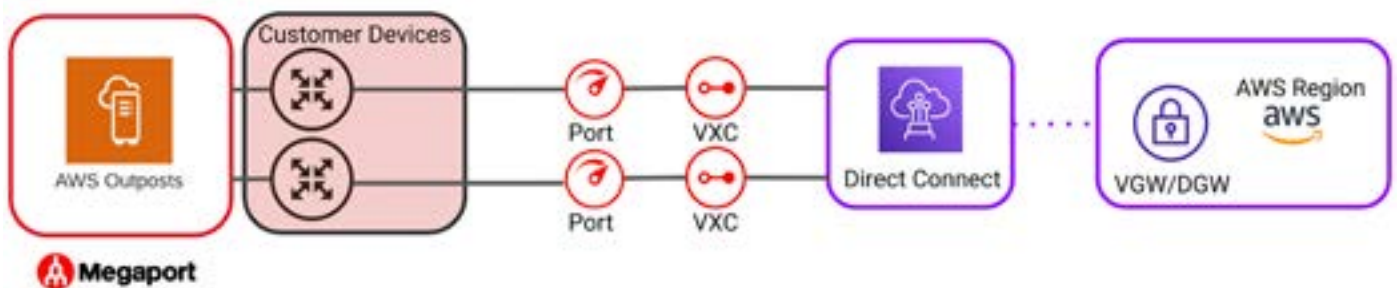
# Use cases

MegaPort supports two Direct Connect use cases for AWS Outposts:

## #1 Customer router provides BGP peering to AWS Direct Connect

**Scenario:** The Outposts installation has customer-owned network equipment (routers/switches) to support Direct Connect and BGP requirements for routing between Outposts and the host AWS Region. The customer is responsible for providing space and power etc for their devices.

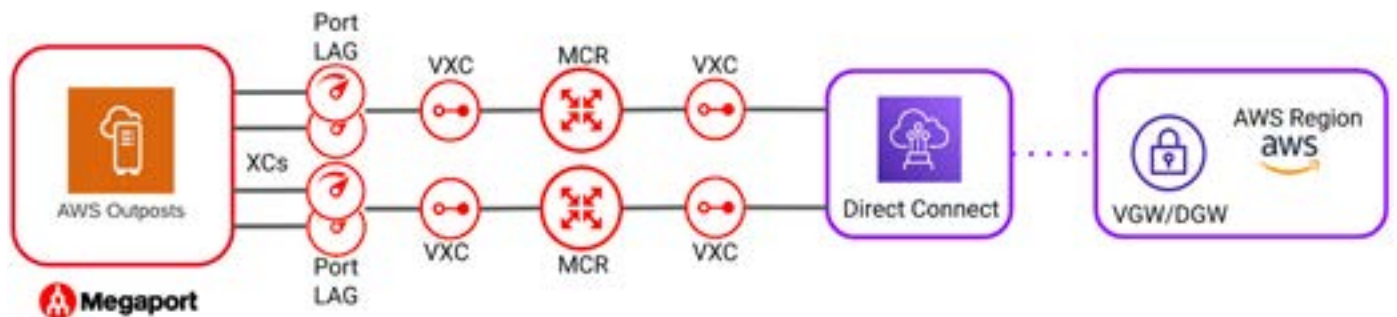
**Solution:** The Outposts customer connects their own routers/switches to both the Outposts rack(s) and MegaPort Ports in the data center to build private layer 2 connectivity over the MegaPort network to the AWS Direct Connect service location. The customer then establishes layer 3 BGP sessions with both the Outposts rack(s) and the AWS region Gateways for Outposts Service Link communications.



## #2 MegaPort Cloud Router provides BGP peering to AWS Direct Connect

**Scenario:** This Outposts installation only requires physical cross-connects to MegaPort Ports. Subsequent provisioning, BGP peering, and private connectivity to AWS Direct Connect is facilitated via the MegaPort Portal or APIs. (NOTE: AWS Outposts does not peer directly to AWS Direct Connect.)

**Solution:** Add the MCR to support the necessary BGP peering to AWS Direct Connect for routing to and from Outposts and the host AWS Region. MCR's virtual routing solution eliminates the need for the customer to provide their own router in the data center to support the necessary peering with AWS Direct Connect.



---

## About Megaport

Megaport is a leading provider of Network as a Service (NaaS) solutions. The company's global Software Defined Network (SDN) helps businesses rapidly connect their network to services via an easy-to-use portal or our open API. Megaport offers agile networking capabilities that reduce operating costs and increase speed to market compared to traditional networking solutions. Megaport partners with the world's top cloud service providers, including AWS, Microsoft Azure, and Google Cloud, as well as the largest data center operators, systems integrators and managed service providers in the world. Megaport is an ISO/IEC 27001-certified company.



[megaport.com](http://megaport.com)  
[info@megaport.com](mailto:info@megaport.com)

Phone: +61 7 3088 5999  
Fax: +61 7 3088 5998

Level 3, 825 Ann St,  
Fortitude Valley, 4006, AU.

ABN: 46 607 301 959

 [megaportnetworks](https://www.facebook.com/megaportnetworks)

 [@megaport](https://www.linkedin.com/company/megaport)

 [@megaportnetwork](https://twitter.com/megaportnetwork)